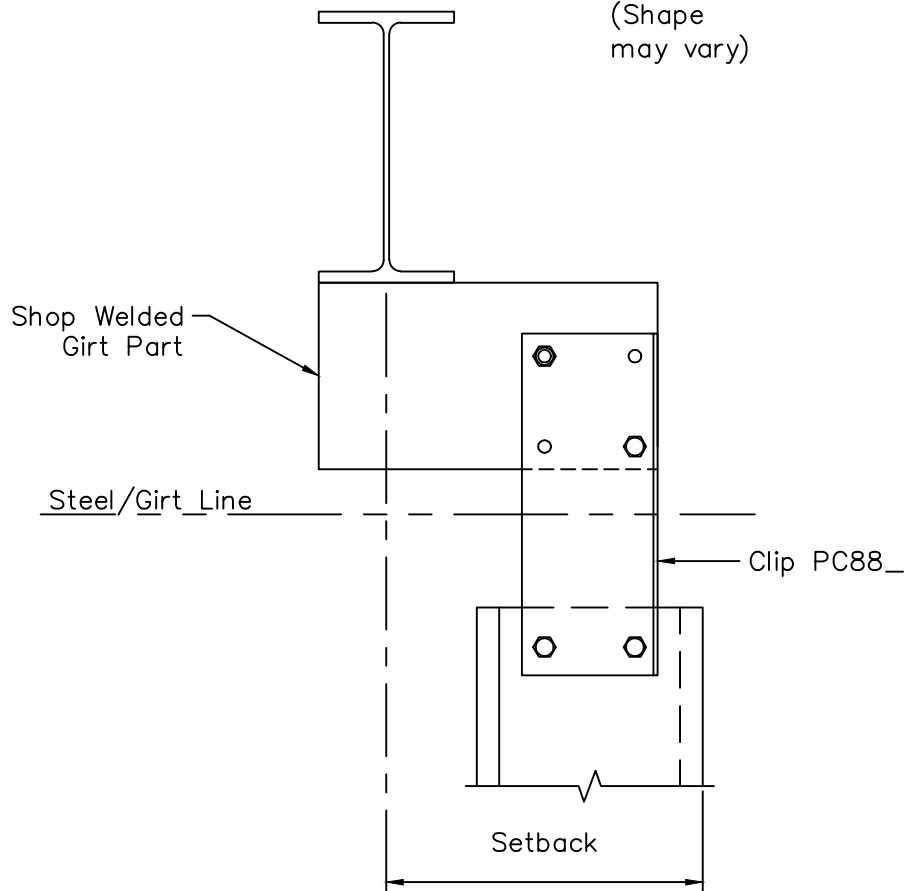
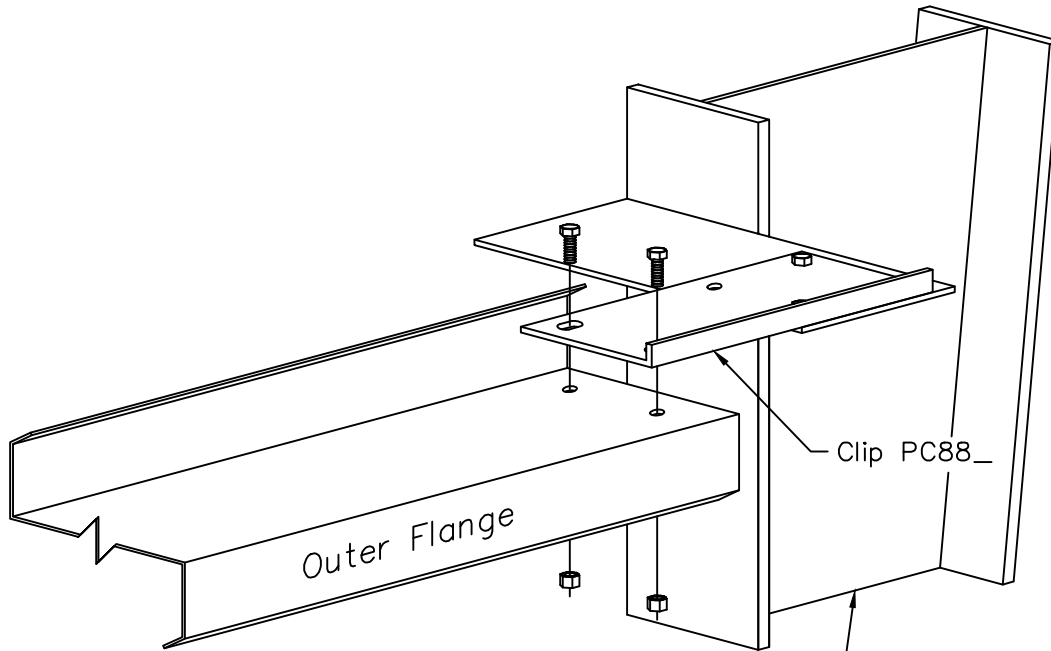


Girt Tie-In - Interior Frame - Common Wall Open Bypass Column - Endwall Girt Bypasses Column Flange

Page
EF04020
Date
Jul '11 Rev.
00

Note: All Bolts
are $\frac{1}{2}$ " Diameter

Zee Girt shown, Tie-in Detail
similar for Cee or Zee Girt
with outer flange toed up.



Wall Panels not
shown for clarity.